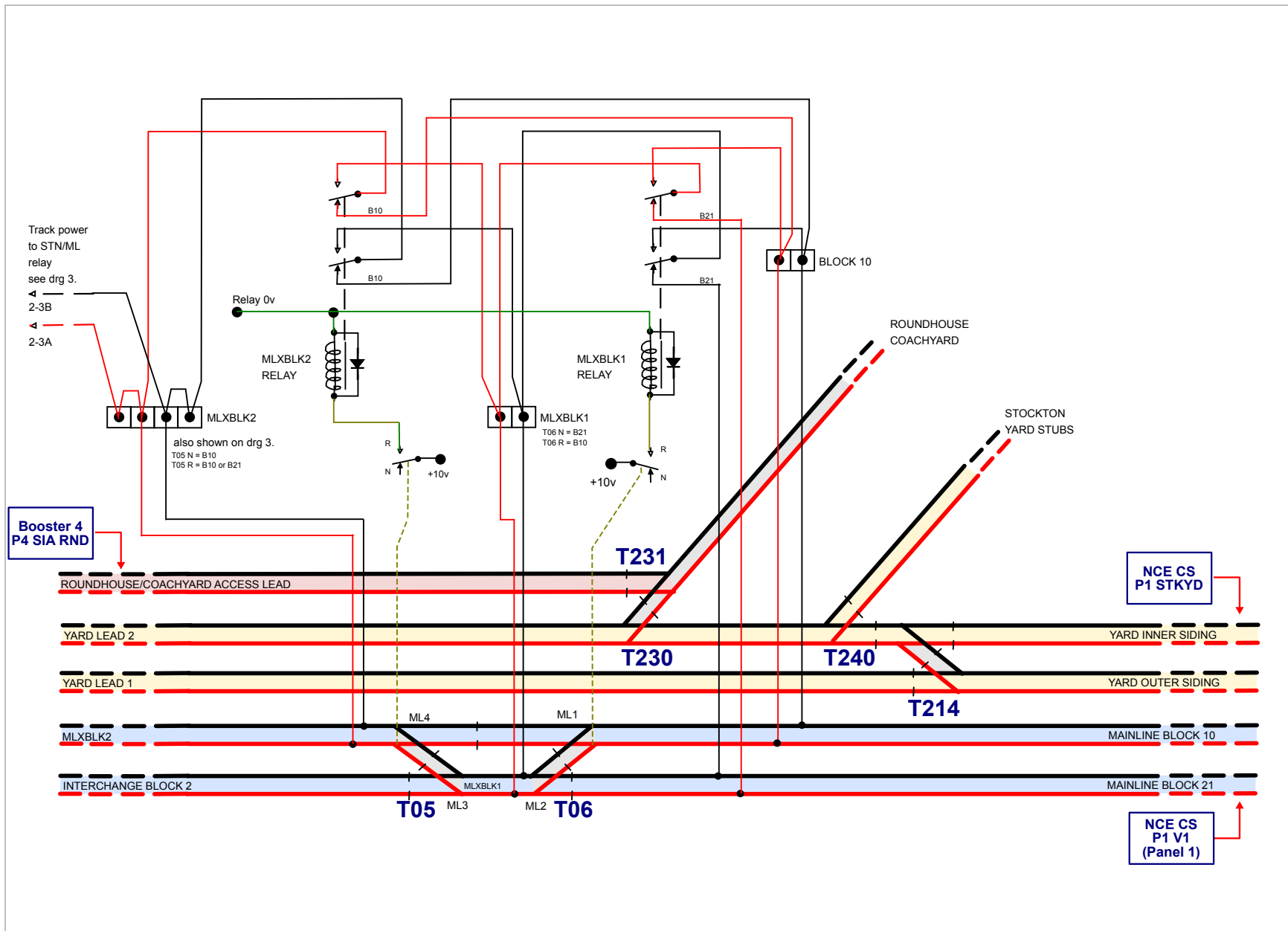


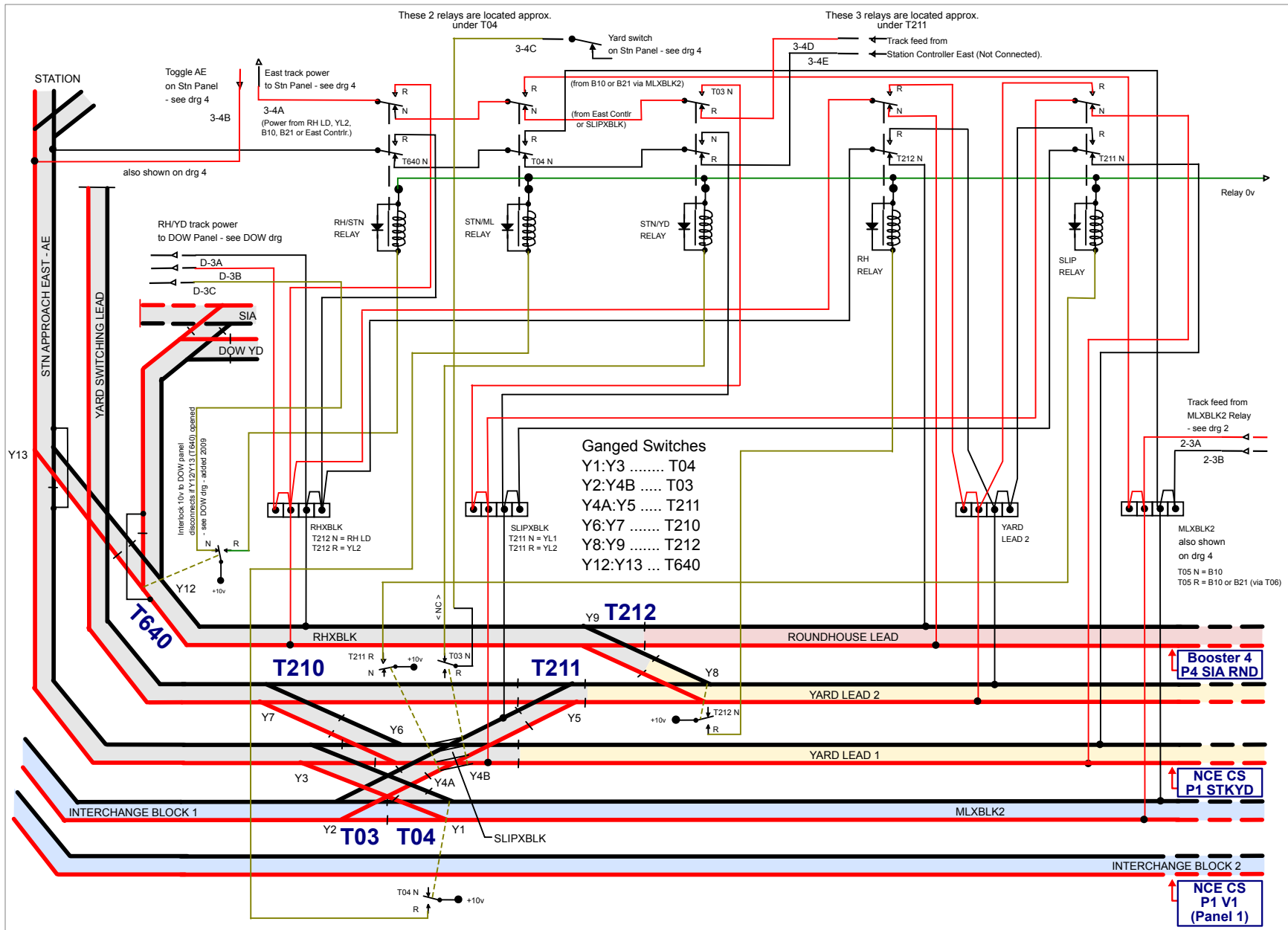
STATION DEVELOPMENT - DRAWING 1  
 ROGER'S JUNCTION - AUTOMATIC TRACK POWER ROUTING (WEST RELAYS)

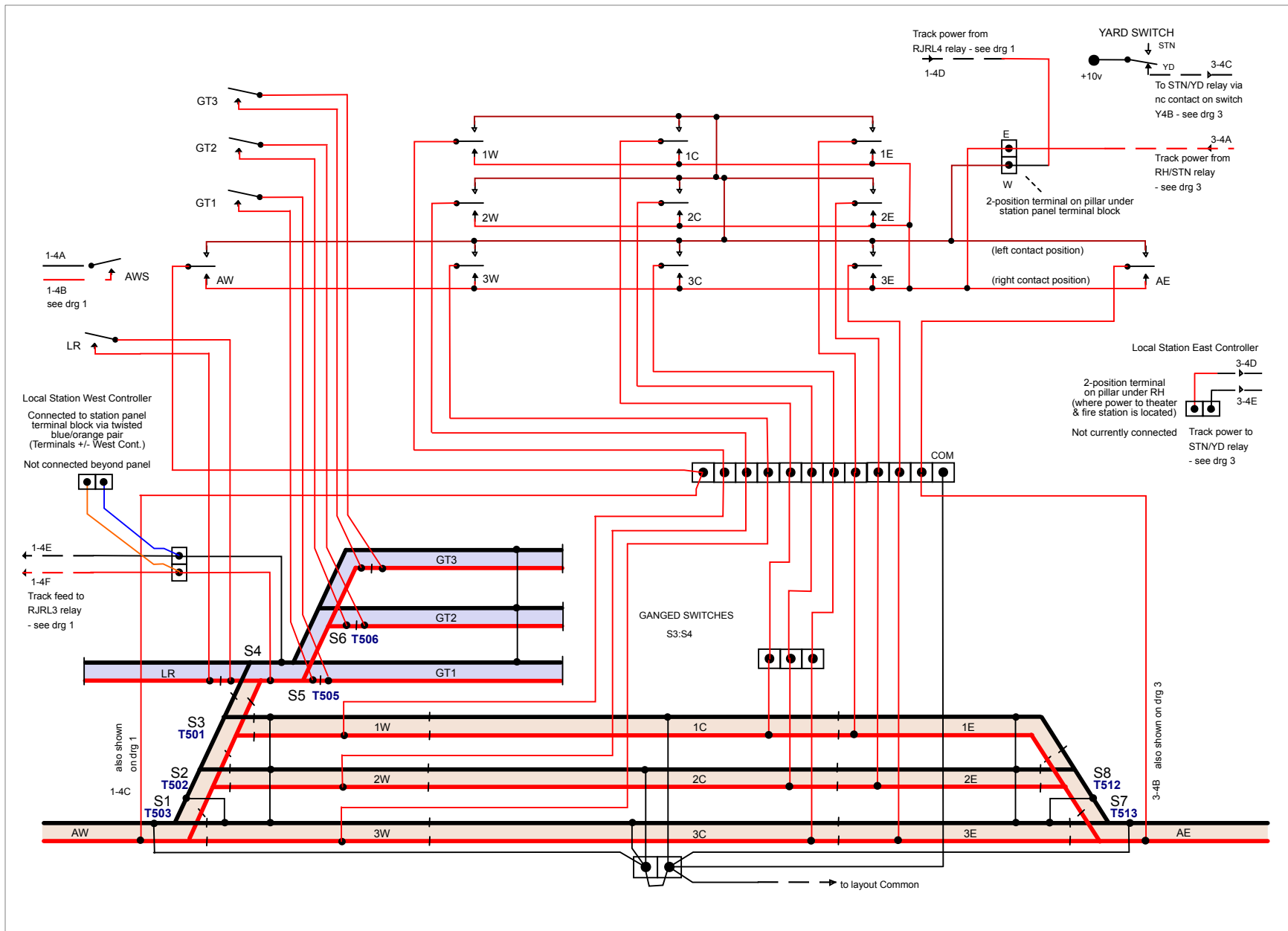
Created: Martin Perry, 2000-09-03 (martin@msperry50.org.uk)  
 Updated: Amendments made for new DOW Freight Yard  
 Martin Perry, 2009  
 Updated: As observed, Raphaël Moll, 2018-11-10



STATION DEVELOPMENT - DRAWING 2  
 VALLEY MAINLINE CROSSOVERS BY STOCKTON YD PANEL - TRACK POWER ROUTING

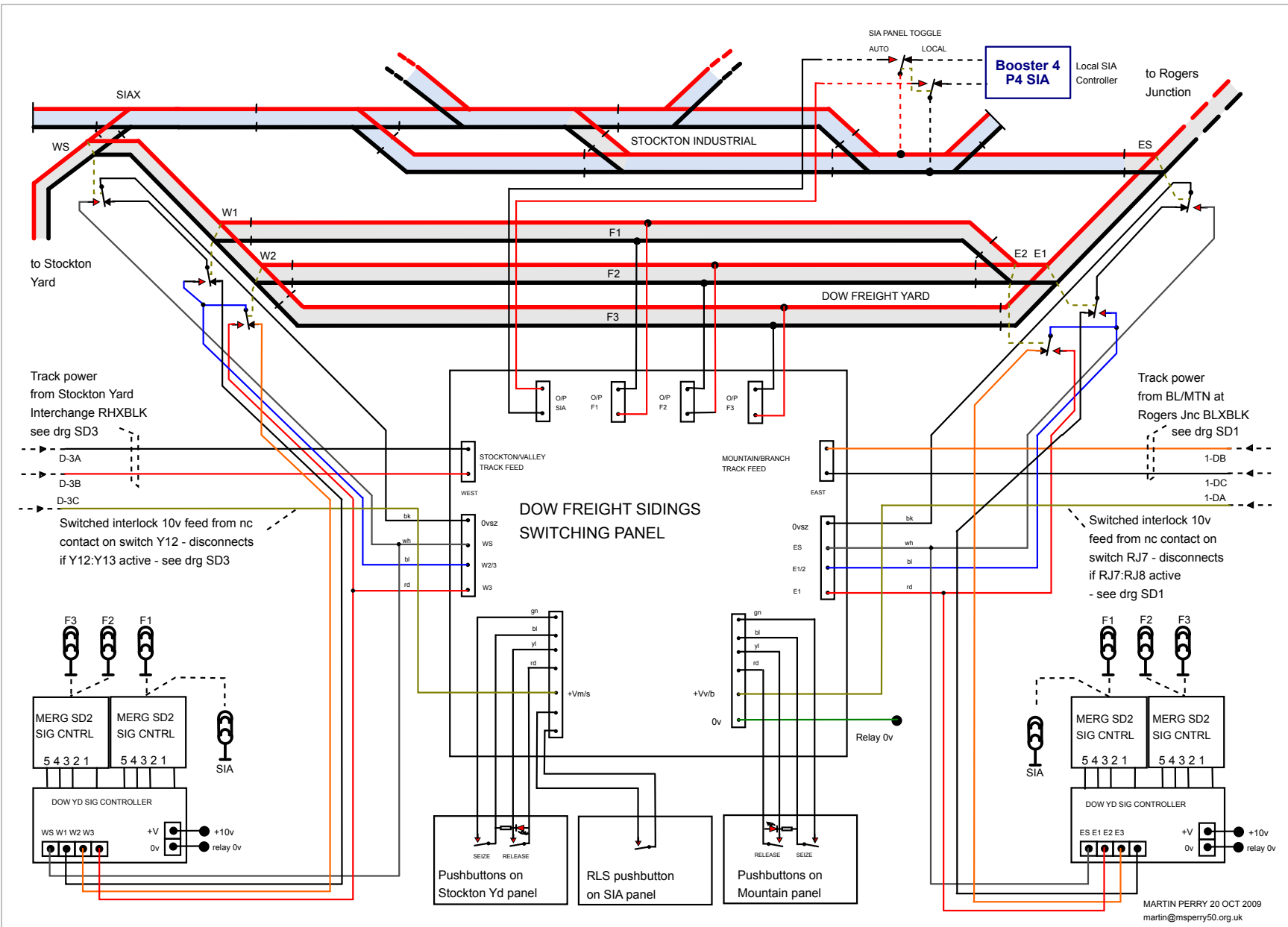
Created: Martin Perry, 2000-09-04 (martin@msperry50.org.uk)  
 Updated: As observed, Raphaël Moll, 2018-11-10





STATION DEVELOPMENT - DRAWING 4  
 STATION PANEL CABLING

Created: Martin Perry, 2000-09-05 (martin@msperry50.org.uk)  
 Updated: AS observed, Raphaël Moll, 2018-11-10



DFS - Dow Freight Sidings Yard  
DOW FREIGHT SIDINGS - TRACK POWER ROUTING

Created: Martin Perry, 2009-10-20 (martin@msperry50.org.uk)  
Updated: As observed, Raphaël Moll, 2018-11-10